



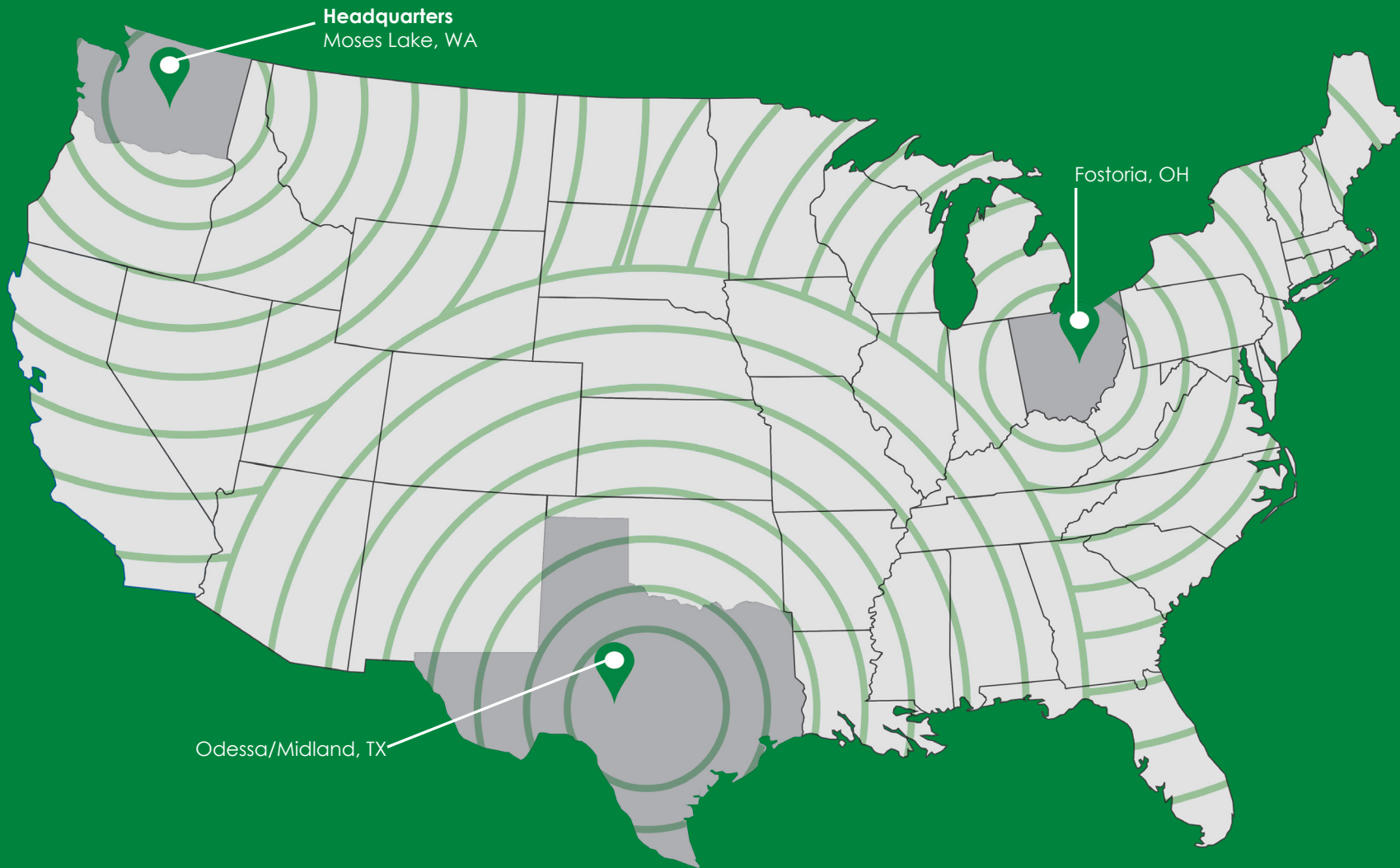
BUSINESS & PRODUCT PROFILE ADVANCED CONTAINMENT SOLUTIONS™

 USA Based

Moses Lake, WA
Fostoria, OH
Odessa, TX

STRATEGICALLY LOCATED FACILITIES

SHIPPING DOMESTICALLY & INTERNATIONALLY



Headquarters
Moses Lake, WA

Fostoria, OH

Odessa/Midland, TX

Fabrication Facility & Head Office

4172 N. Frontage Road East
Moses Lake, WA 98837
Call (800) 346-7744

Fabrication Facility

1600 N. Main St.
Fostoria, OH 44830
Call (888) 377-5640

Fabrication Facility

8784 W. Interstate Hwy 20
Odessa, TX 79763
Call (432) 272-9413

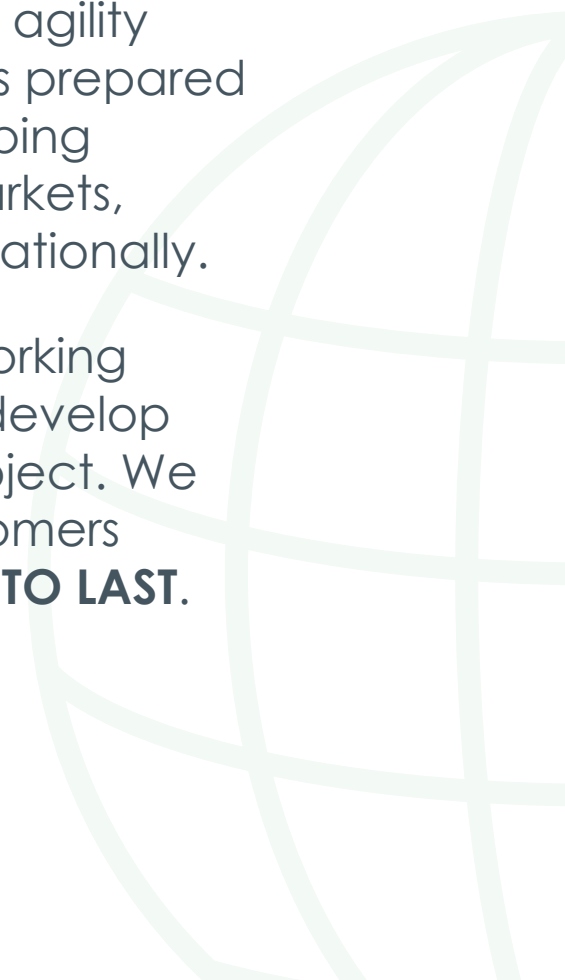
THE GLOBAL EVOLUTION OF INLAND TARP & LINER®

Over the past 40 years, Inland Tarp & Liner® has evolved from a hay tarp manufacturer and agricultural service company to one of the largest custom fabricators of premium geosynthetic products. ITL quality applications and solutions span an array of industries around the world from agriculture to oil and gas.

Known for factory fabricated and tested strong, light weight liners, ITL has capacity to produce 300 million square feet annually. ITL services customers in all 50 states and internationally with weekly global shipments to Canada, Australia, Middle East, South

America and the United Kingdom. With a proven track record for agility and successful expansion, ITL is prepared to move quickly when developing fabrication facilities in new markets, whether domestically or internationally.

At ITL we pride ourselves on working closely with our customers to develop the right solutions for every project. We believe that we offer our customers **PREMIUM QUALITY** that is **BUILT TO LAST**.





MEET RON MACKENZIE,
CHIEF TECHNICAL OFFICER



IN HOUSE TECHNICAL EXPERTISE

Ron began his career in the liner industry with Columbia Geosystems, in Canada. The company was known for its cold weather lining expertise and was the originator of tensioned floating covers still in use today.

From Senior Installer/Construction Manager at MPC Containment to COO and General Manager of Bend Tarp and Liner before joining Inland Tarp & Liner, Ron has been involved in all aspects of the specialized geomembrane and geosynthetic space. He has been instrumental in expanding operations, sales, and distribution from Washington State to the east coast with production facilities in Fostoria, Ohio, and Odessa, Texas.

Ron is an active member of IFAI, GMA, and FGI.



ADVANCED CONTAINMENT SOLUTIONS™



LINER & GEOTEXTILE APPLICATIONS AND SOLUTIONS

You will find that ITL is able to supply liner and geotextile for a multitude of applications, including:

- Drilling & Completion Pads
- Secondary Containment
- Ponds & Impoundments
- Pits for Stormwater Runoff
- Irrigation & Sediment Ponds
- Foam Berms
- Insulated Floating Covers
- Landfills for Soil & Trash
- Hazardous Waste
- Lagoons
- Stockpile Covers

Liner Options include:

- ITL Coated Woven Polyethylene
- LLDPE and HDPE Smooth, Textured, Black, Gray, and White
- Single-Piece Liner for Larger Projects—up to 5,000 kg

Geotextile Options include:

- 4 oz. to 24 oz. Non-Woven Felt Underlayment
- Roll Stock or Custom Fabrication to meet the project configuration





WELL PAD LINER APPLICATIONS AND SOLUTIONS

Well Pad Liner solutions from ITL have many benefits, including:

- 100% Recyclable
- Reinforcement—5, 6, & 8 layers thick
- Multi Scrim/Multiple Strength (X symbol)
- Lighter and Stronger than LLDPE & HDPE
- Plant Fabricated and Tested—significantly reduces time and weather related issues for in-field seam welding)
- No Geotextile Underlayment**—considerable time savings, reduced labor, less material to recycle or landfill
- Offers Field Repair Advantages
- Reusability—dependent on application & area

Well Pad Liner Options include:

ITL 40X™

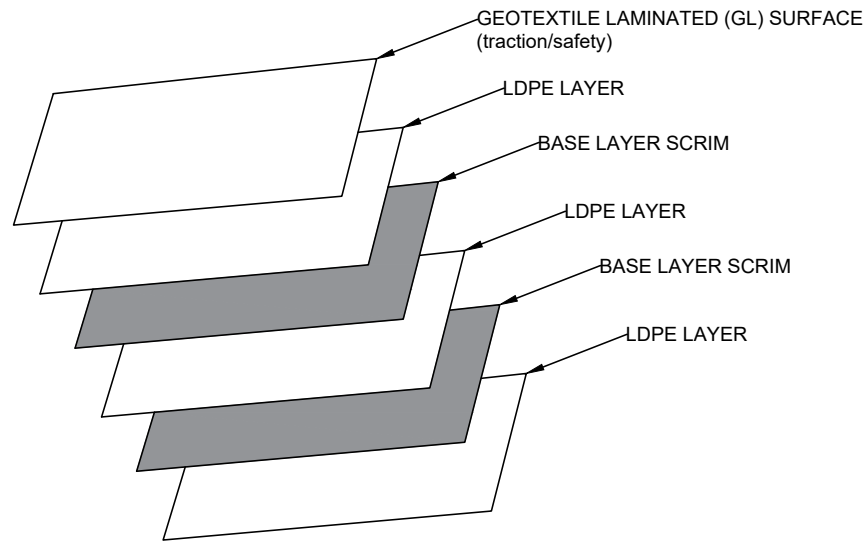
ITL 40XGL™

ITL 60 XGL™

Geotextile Options include:

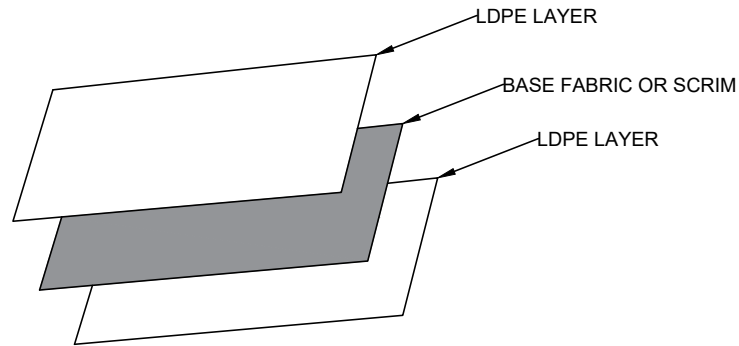
4 oz. to 24 oz. Non-Woven Felt Underlayment
Roll Stock or Custom Fabrication to meet the project configuration

GEOMEMBRANE COATED WOVEN POLYETHYLENE (CWPE)



ITL CWPE DOUBLE SCRIM (X)

A 6-ply CWPE Double Scrim (X) liner with a coating between the scrims plus coating on top and bottom. This provides extremely high tear strengths, puncture and Mullen burst resistance.



ITL CWPE SINGLE SCRIM (X)

ITL Coated Woven Polyethylene (CWPE) is made from woven HDPE tapes known as “base fabric” or “scrim” which provide high tear strengths and puncture resistance. The HDPE scrim is coated on both sides with LDPE to provide flexible barriers to contain liquid.

TECHNICAL DATA SHEET | CWPE LINERS

Property	ASTM Test Method	ITL® 12 CWPE	ITL® 16 CWPE	ITL® 20LT CWPE	ITL® 20 CWPE *	ITL® 24 CWPE	ITL® 30LT CWPE	ITL® 30 CWPE *	ITL 30XGL™ Hybrid ⁽¹⁾	ITL 40X™ CWPE ⁽¹⁾	ITL 40XGL™ Hybrid ⁽¹⁾	ITL 60XGL™ Hybrid ⁽²⁾
Thickness nominal - mil	ASTM D 1777	12	16	17	20	24	27	30	30	40	40	60
Mass - oz. per yd. ² /lb. per sq. ft.	ASTM D751	6.2/0.043	7.5/0.052	7.5/0.052	9.4/0.065	11.4/0.079	12.1/0.084	14.2/0.097	14/0.097	18/0.125	19.7/0.137	27.4/0.190
Grab Tensile Warp/ Weft - lbs.	ASTM D 751	179/154	191/201	191/201	235/225	297/308	357/341	431/388	480/421	664/706	669/654	909/963
Tongue Tear Warp/ Weft - lbs.	ASTM D 751	56/50	58/57	68/67	59/63	59/59	81/81	93/88	104/94	131/136	216/213	144/172
Mullen Burst Strength - psi	ASTM D 3786	330	391	365	457	525	632	681	800	1,005	1,224	1,500 ⁽³⁾
Puncture Resistance - lbs.	ASTM D 4833	78	95	96	126	137	147	167	212	255	255	438
Color	Observed	B/B	B/B	W/B	G/B, B/B	B/B	B/B	G/B	B/B	B/B	B/B, G/B	B/B, G/B
Recyclable	Processed	100%	100%	100%	100%	100%	100%	100%	100%	100%	100%	100%

Product ID Tab on the back of each sample (Material Sample Booklets). Larger samples available upon request.
Published lowest values conducted by Independent Laboratories.

* EPA 9090A Tested.

(1) Double Scrim.

(2) Triple Scrim.

(3) Exceeds limits of testing equipment.

B/B – Black/Black; W/B – White/Black; G/B – Gray/Black

UV Accelerated Weathering. More than 90% strength retained after 2,000 hours exposure.
ASTM D1777 Option 1. All values are +/- 10% and are not intended as limiting specifications.

DISCLAIMER: The information contained herein is provided for reference purposes only and is not intended as a warranty or guarantee. Final determination of suitability for application is the sole responsibility of the user. These values are based on testing results from past fabric runs. Each production run varies in final results. If a certain specified value is required, please inform ITL in advance and we can provide current testing results. ITL conducts continual independent testing of materials.



REVIEW OF INLAND TARP & LINER® STANDARDS

In-Bound Roll Testing

10% of all inbound rolls are tested for Tensile, Thickness, Hydrostatic, and compliance to our standards prior to accepting the load. (All rolls eventually tested).

Line Testing

Rolls are tested for compliance; machines are verified for function, weld tests, and operator conformance every 4 hours. Every 1000 feet of seam, or once per line tensile tests are taken per machine being used.

Random Testing

Biannually, random samples are sent to an outside lab from our facilities for independent verification of compliance.

Specification Publishing

ITL specifications are published using independent lab data as opposed to our testing in-house.

FACTORY TESTING FOR QUALITY ASSURANCE/QUALITY CONTROL



MICROMETER

Tests material thicknesses under ATSM D1777 option 1



DUAL TRACK TENSIONMETER

Tests tensile properties and seam strengths under ASTM D751



UV ACCELERATED WEATHERING TESTER

Tests materials for 2000 hours under ASTM 4799

All ITL Liners Undergo Rigorous In-House Testing

FROM FACTORY TO INSTALLATION



Large factory fabricated panels reduce field installation time and cost.

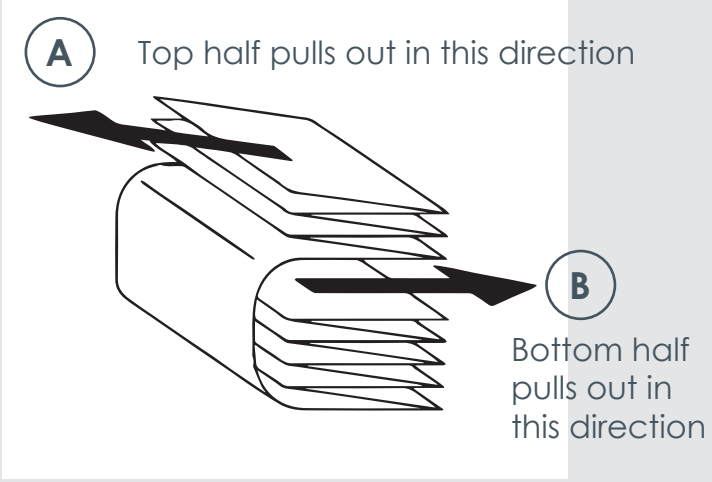
Factory fabricated panels are heat seamed in a controlled factory environment, significantly reducing seam failure due to excessive heat, wind, sand in the air, moisture in the air, and more environmental stress factors.

STANDARD PACKAGING

STANDARD ROLL

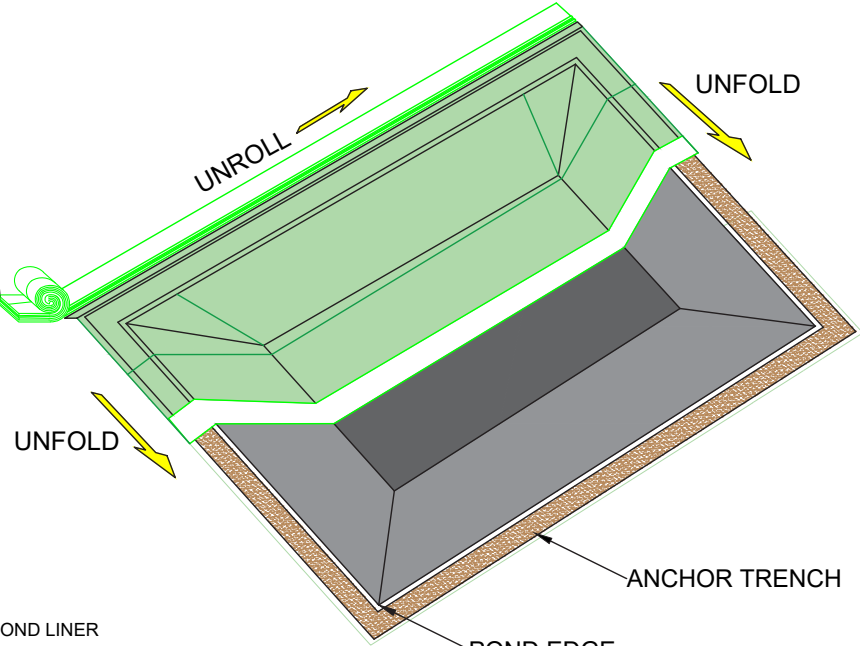


BUTTERFLY FOLD

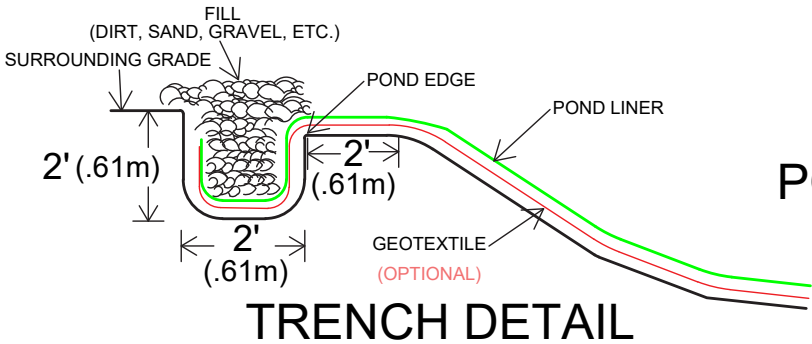


LINER DEPLOYMENT METHOD

PLACE ROLL 4 FEET (1.22 METERS) BEHIND ANCHOR TRENCH - ALONG LENGTH EDGE



POND DEPLOYMENT



TRENCH DETAIL

LINER INSTALLATION IN-FIELD REPAIR METHODS



SELF-PROPELLED WEDGE WELDER



HAND WELDER



CONTINUOUS FEED PLASTIC ROD
For heavier liners and custom
factory fabricated boots.



AIR LANCE TESTING METHOD

For seams welded in the field, non-destructive testing using the Air Lance Method ATSM D4437 is recommended.



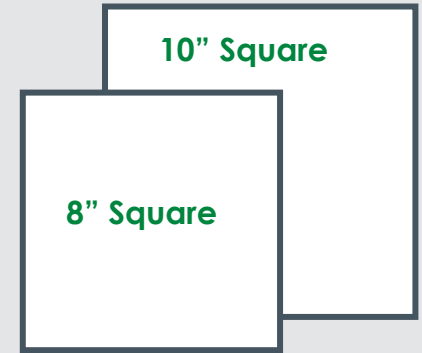
ADDITIONAL CONTAINMENT OPTIONS

FOAM BERMS & RAMPS

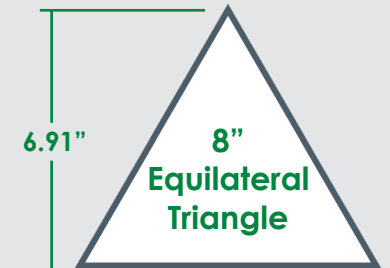
Loose: On-site containment welding with liner.
Fabricated Sleeves come in multiple liner strengths.



CONFIGURATIONS



5' Black Uncovered
10' White Uncovered
10' White Covered



5' Black Uncovered

CONTAINMENT WALL SYSTEMS

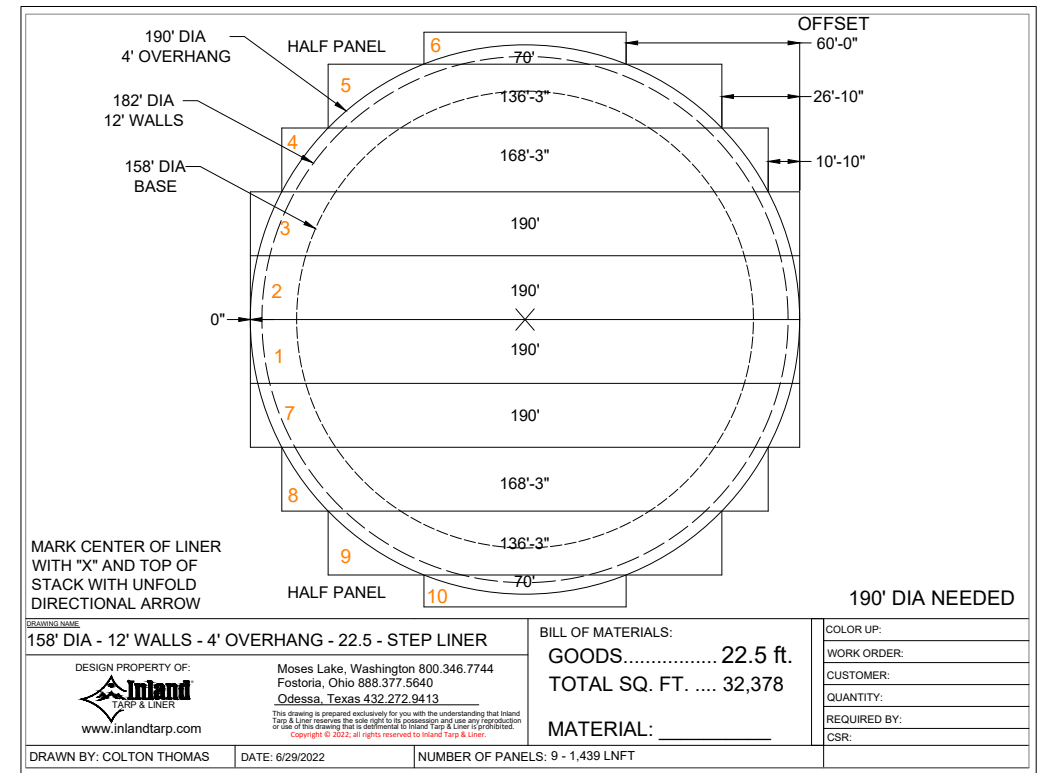
Containment Wall Systems for Chemical Tanks, Frac Tanks & Well Pads. Engineered Walls specially designed for containment offer:

- Multiple Size Options.
- Multiple Configuration Options.
- Wall Heights from 0.3 m to 1.22 m.
- Portable walls that can be reusable for short and long term applications.
- One-piece and single-panel felt are fabricated as part of the ITL turn-key Containment Solutions.



ABOVE GROUND STORAGE TANK LINERS (AGST OR AST)

- LLDPE Solutions Include:
- Wider base goods for fewer plant fabricated seams, reducing environmental risks.
- Special resins for LLDPE flexibility.
- Proven industry performance in extreme hot and cold weather.
- ITL custom CAD capabilities.
- Resources to meet each customer's project specifications.



FLOATING COVERS

ITL can offer permanent and temporary floating covers for both Above Ground Storage Tanks (AST) as well as In-Ground Ponds and Pits.



AGRICULTURAL SOLUTIONS

Home of the Bull Flex™ and Performer™ tarp lines, we also offer standard and custom sized side curtains, underlayment, and tie-down kits. By using high-quality components in the tarps, we have achieved superior hay tarps unmatched in the marketplace.

ITL is one of the premier fabricators of stockpile, and Bunker, Conical, and Yolk Style grain pile covers. Standard or custom sizes are available with quick turnaround times. Custom rain flaps and other accessories are also available.



ITL™ PRODUCTS > SERVICE COMPANIES > PRODUCERS > SOLUTIONS
TEAM SOLUTIONS FOR TODAY AND TOMORROW'S CHALLENGES



*A Partial List